

Assembly and operating instructions

storeline

.bock^{///}

- t10X bedside cabinets with s100 flexible tray



Dear Customer,

By purchasing this product from Hermann Bock GmbH, you are acquiring a long-lasting, modern product with first-rate functionality and safety. In order to prevent malfunctions and risks to people, users and third parties, please read this manual carefully and observe all the instructions and notes it contains.

A handwritten signature in black ink that reads "Klaus Bock". The signature is written in a cursive, flowing style with a large, prominent 'K' and 'B'.

Klaus Bock

Table of contents

1	Introduction and general notes	4
1.1	Intended use	4
1.2	Warranty	4
1.3	Note on markets	4
1.4	Tray nameplate	5
2	Overview of functions	6
3	Assembly and operation	7
3.1	Technical specifications – storeline s100	7
3.1	Videos	8
3.2	Assembly and mounting of the storeline s100 onto the t10X	9
3.3	Operation	11
3.4	Disassembly	14
3.5	Transport, storage and operating conditions	14
3.6	Usage notes	15
3.7	Disposal	15
4	Cleaning, care and disinfection	16
4.1	Cleaning and care	16
4.2	Disinfection	17

1 Introduction and general notes

1.1 Intended use

- The bedside cabinets and trays are intended for placing items on and for use in assisting with food consumption, making the work of nurses and caregivers easier
- The bedside cabinets can be used independently from the nursing care bed
- The height of the table surface is adjustable, so it can be positioned and used above the mattress of the bed
- Patients can use the bedside cabinets and trays themselves, as long as they have been instructed in how to do so
- The bedside cabinets and trays are suitable for repeated use, as long as the care and cleaning instructions are observed

This manual contains safety instructions. All persons who work with the product must be familiar with the contents of this manual. Improper operation may result in hazards.

1.2 Warranty

If you have questions about the warranty for this product, please contact your vendor. If you do not use original Bock replacement parts, or if repairs/changes are made to the bedside cabinets, trays or their components by unauthorised personnel, the warranty is null and void.

If damage still occurs despite proper handling, please contact the manufacturer or your retailer.

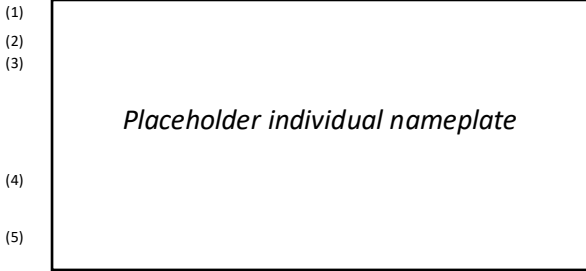
1.3 Note on markets

This product is not approved for the North American market, nor for the United States of America in particular. Distribution or use of this product in these markets, including via third parties, is prohibited by the manufacturer.

Tray nameplate





An individual nameplate is affixed to this product.

Individual nameplate



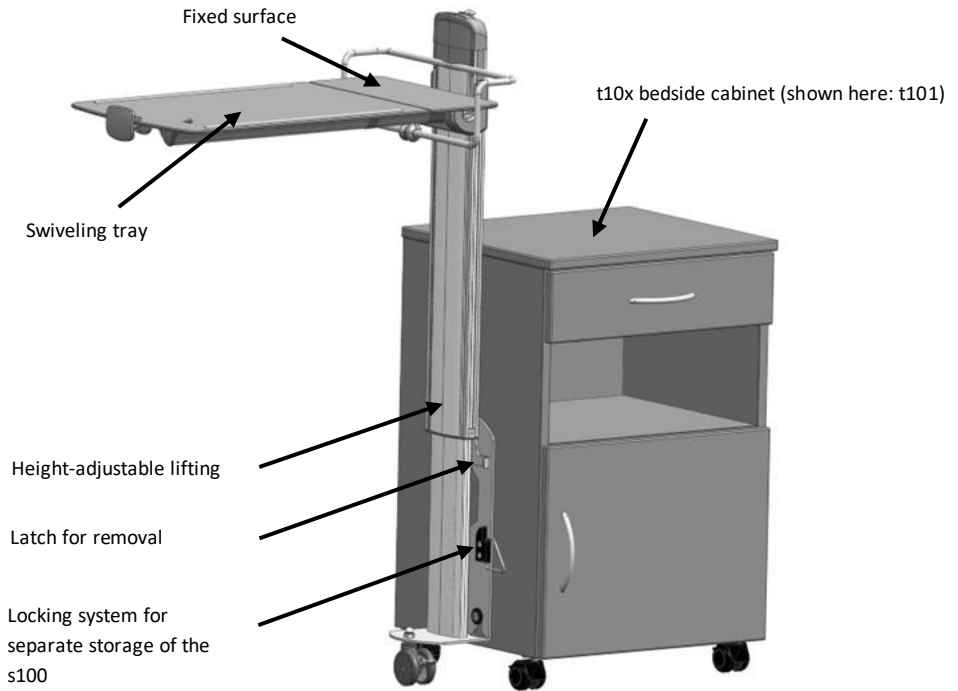
- (1) Model number
- (2) Date of manufacture: Year - Month - Day
- (3) Serial number: Order number - Sequential number
- (4) Symbols
- (5) Manufacturer

Explanation of symbols:

	Product is subject to separate waste disposal requirements in the European Union. Product may not be disposed of in household waste.
	Use only in dry areas
	Refer to manual
	Manufacturer's address

2 Overview of functions

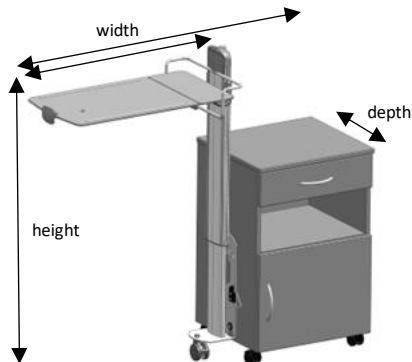
Construction and function



3 Assembly and operation

3.1 Technical specifications – storeline s100

Technical specifications	storeline s100	storeline s100 with t10X
Dimensions: Total width/henght	Extended: 800 mm / 1190 mm Retracted: 170 mm / 870 mm	Extended: 1305 mm / 1190 mm Retracted: 675 mm / 870 mm
Height of tabletop:	725mm to 1050mm	725mm to 1050mm
Swivel-mounted tray:	550x380	550x380
Fixed surface:	160x380	160x380
Tilting range of the tabletop:	Max. 45°	Max. 45°
Max. load capacity of the tabletop (tablet center):	up to 20 kg	up to 20 kg
Castors:	1 x Double castor \varnothing 65 mm (with brakes)	1 x Double castor \varnothing 65 mm (with brakes) 4x Double castors \varnothing 50 mm (2 x with brakes)
Base frame height:	80 mm	70 mm
Total weight:	11.80 kg	11.80 kg + 37.75 kg



All parts and specifications are subject to ongoing changes, and therefore may vary from the information listed here. The Technical Specifications may vary for different product versions

3.1 Videos

- How to use the storeline s100



3.2 Assembly and mounting of the storeline s100 onto the t10X

Assemble the cabinet as shown at the right.

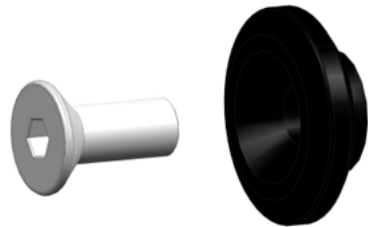


Remove the cover plugs on the side where you want to install the tray.

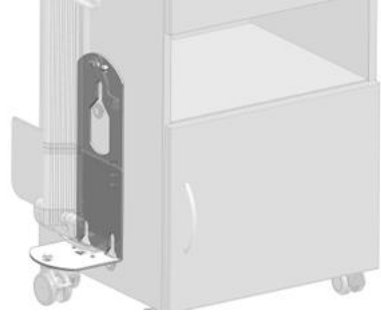


Then, take the connectors out of the provided bag with all fittings for the storeline s100 and attach them to the cabinet.

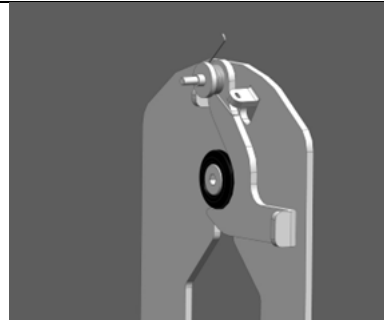
(3 pieces per side)



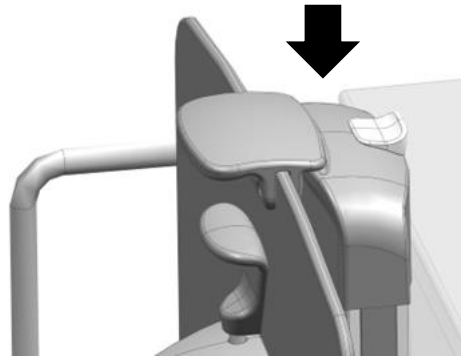
Once the connectors have been properly installed, you can mount the tray as shown in the figure at the right. It should click into place automatically. Make sure that the tray is fitted properly into all three connectors.



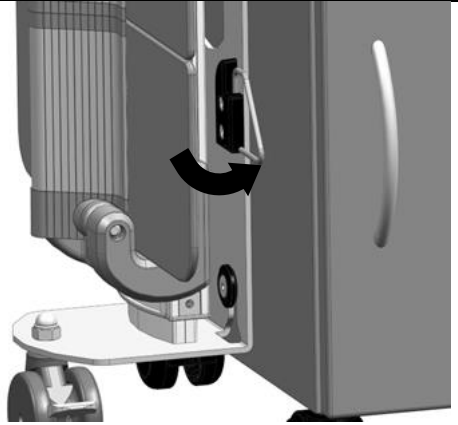
The locking mechanism has to engage around the connector, as shown in the figure at the right. **Warning:** If the mechanism is not latched properly, the tray may come loose from the cabinet.



Once the tray is properly attached, operate the lever to trigger the hydraulic cylinder and press the tray down until it hits the stopping point.



Then, swing the lateral clamp on the locking system to the side.

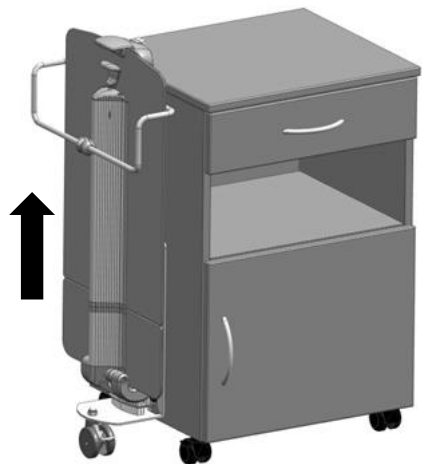


Once all these steps are complete, the bedside table with tray is ready to use.

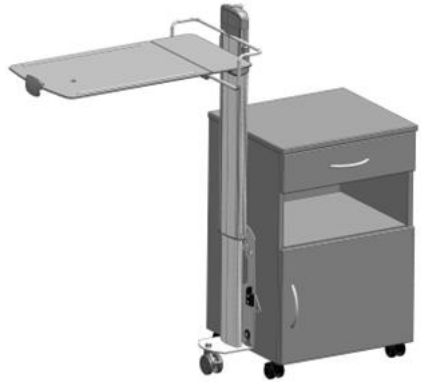


3.3 Operation

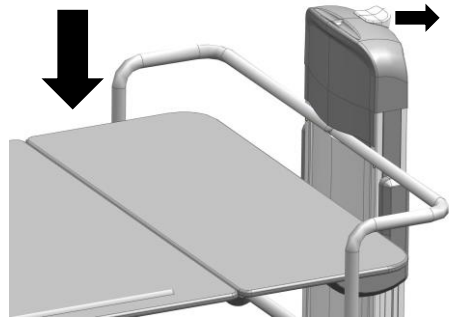
When the tray is retracted, you can use the handle on the top of the table surface to pull it out. A stop mechanism limits the maximum height.



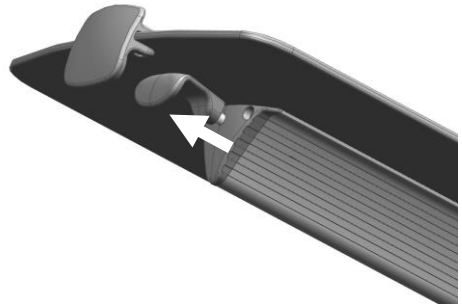
The figure at the right shows the tray in its highest position.



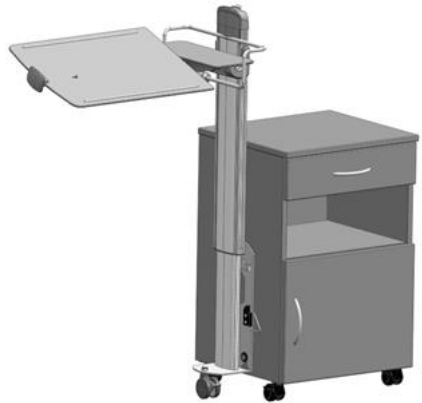
To lower the tray, press the lever shown on the right-hand side of the figure displayed here. Use your other hand to press the tray downward.



If you would like to tilt the tray, simply pull the handle shown at the right. Then lock the tray into the desired position.
Warning: Before tilting the tray, make sure that the surface of the tray is clear of items.



The tray is now in a tilted position, as shown in the figure at the right. The tray can also be tilted in the opposite direction.



Bock Safety Note

Please read this entire manual in order to avoid causing damage by using the product improperly.

Clean and disinfect the product before first use and before every subsequent use.

The maximum load capacity of the tabletop is 10 kg.

Do not lean on the tabletop!


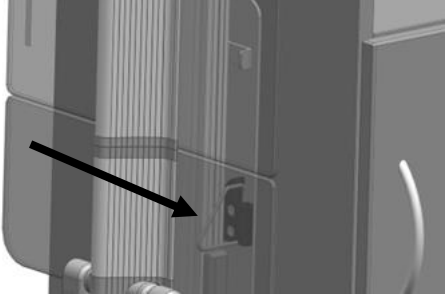
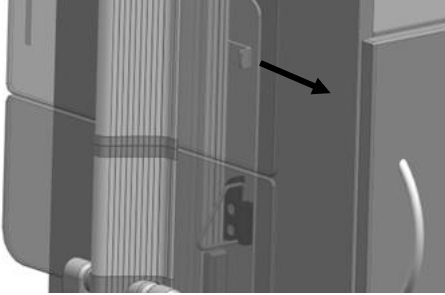
All castors must have their brakes on at all times.

Patients may only use the bedside table and tray if they have been properly instructed in how to do so.

Check to ensure that the locking hook is fully clasped around the upper connector.

When returning the tray to its horizontal position, make sure that no one's fingers or other objects are between the movable and immovable sections of the tray.

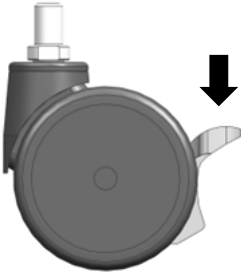
3.4 Disassembly

<p>If you would like to remove the tray, first collapse it as shown in the figure at the right.</p>	
<p>Then move the transport clamp into the position where it blocks the table and can be transported securely. Important note: The clamp must lock into the dedicated slot.</p>	
<p>Once the tray is secured, you can move the locking hook to the side with one hand. Use your other hand to pull the tray upwards out of the connectors. The tray has now been removed from the cabinet.</p>	

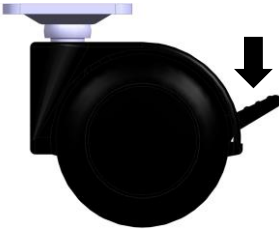
3.5 Transport, storage and operating conditions

	Transport and storage	Operation
Temperature	0°C to +40°C	10°C to +40°C
Relative humidity	20% to 80%	20% to 70%
Atmospheric pressure	800hPa to 1060hPa	

3.6 Usage notes



To keep the bedside cabinet in a particular location, the brakes on the castors must be locked. To lock the brakes, push the locking lever downward with your foot.



3.7 Disposal

The individual plastic, metal and wooden components are recyclable, and can be disposed of for recycling in accordance with applicable laws.

4 Cleaning, care and disinfection

4.1 Cleaning and care

Following the care instructions in this section will help you maintain the functionality and appearance of your Bock product for a long time to come.

The table surfaces of the bedside cabinets and trays are made of coated particleboard with a decorative finish. Depending on the model, the surface has either a melamine resin coating or an HPL (high-pressure laminate) coating, with additional edge protection made of a polymer (ABS). The coated table surfaces are easy to maintain, and their durable, hygienically sealed materials mean that they do not require special care. Generally, routine cleaning is sufficient if the tables are used by the same patient. The bedside cabinets and trays only need to be disinfected if they are visibly contaminated with (potentially) infectious material, or if they are going to be reused for a new patient.

In order to ensure that your bedside cabinets and trays remain useable for a long time to come, please observe the following care and cleaning instructions:

- The bedside cabinets and trays are not suitable for mechanical cleaning or disinfection and should only be cleaned and disinfected manually
- Light soiling can be cleaned off with a soft, clean and (if necessary) slightly moistened cloth
- Heavier soiling can be cleaned off with warm soapy water, a mixture of warm water and detergent, or a conventional cleanser
- Any remaining residue (oil, wax, etc.) can generally be removed with an organic solvent (such as acetone)
- Only use clean, soft cloths, sponges or brushes for cleaning
- Furniture polish or cleansers containing oil or wax may damage the structure of the surface and should not be used
- Cleansers that contain strong acids, highly acidic salts, or abrasive/bleaching ingredients should not be used, as they can damage the material
- Moisture (standing water, damp sponge) can damage the bedside cabinets and trays, particularly if it gets into the joints of the product, so make sure to keep the product free from moisture

- High temperatures can damage the surface of the table, so always make sure to use trivets or coasters under hot pots or mugs
- Do not cut or slice anything on the laminated surface, as doing so can scratch the material

Please follow the manufacturer's general instructions for cleaning and caring for other products and materials. You can also find additional notes on cleaning and care, as well as further relevant information, in the assembly and operating instructions for Hermann Bock patient beds.

4.2 Disinfection

To disinfect your Bock product, wipe it down with an approved disinfectant agent. Follow the disinfection procedures tested and approved by the Robert Koch Institute (RKI). To maintain the durability of plastic components, only mild and gentle products should be used for disinfection. Concentrated acids, aromatic and chlorinated hydrocarbons, higher alcohols, ethers, esters and ketones will corrode the material and should not be used. The list of disinfectant agents and procedures tested and approved by the Robert Koch Institute can be found online at www.rki.de.

We have tested and approved the following disinfectants:

Manufacturer	Product name	Concentration
Ecolab	Incidin Plus	0.5% solution
Bode Chemie	BacilloI AF	0.5% solution
Schülke	Terralin Protect	0.5% solution

Our SALES PARTNERS

Just like us, our business partners are focused on quality, innovation, and exceptionally high standards that are recognised worldwide. We can rely on our partners as confidently as you rely on us.

Please note that training, replacement parts, repairs, inspections and other forms of service can only be provided by our authorised personnel and sales partners. Otherwise, all warranty claims will be void.

For a list of our current sales partners, see www.bock.net/kontakt/vertriebspartner (German only)